

# 3-IN-1 CURRENT TRANSFORMERS



## Features

- Cost effective three-phase moulded case
- Ratio's ranging from 60/5 to 630/5
- Integrated wire sealable terminal cover
- Busbar, DIN-rail and metal feet mounting hardware supplied
- Combined M4 posi/slot screw

## Benefits

- Isolated output for safety
- Faster installation
- Compact size
- Ex-stock delivery

## Applications

- Switchgear
- Distribution systems
- Generator sets
- Control panels

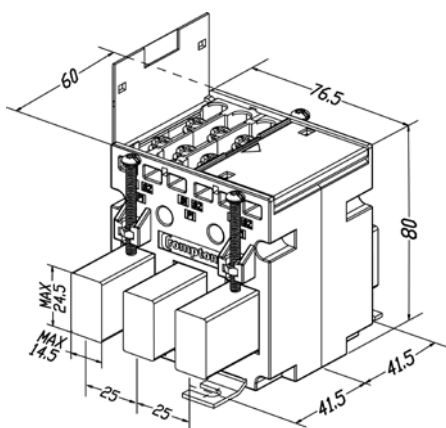
A range of 3-in-1 current transformers combine three traditional current transformers in one moulded case. 3-in-1 current transformers can be directly installed next to a three-phase moulded case circuit breaker, thus saving installation time where fitting three standard individual current transformers would be required. The M3N1 range of current transformers offers primary currents between 60-630A with 5A secondaries with up to Class 0.5 accuracy performance.

## Specifications

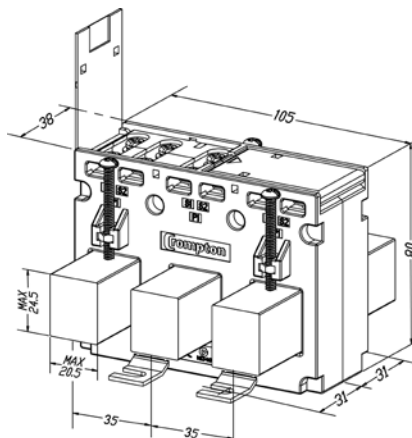
System voltage:	720V maximum
Test voltage:	3kV for 1 minute
System frequency:	50Hz or 60Hz
Primary ratings:	60A to 630A
Short circuit thermal current:	60 x rated primary current (Ith): for 1 sec
Overload withstand:	1.2 x rated current continuously
Rated dynamic current:	= 2.55 x Ith
Secondary terminals:	M4 screw terminals
Enclosure:	Flame retardant grade classified UL 94V-O
Aperture holes centres:	25, 35, 45mm
Operating temperature:	-20°C to +85°C
Accuracy:	Class 0.5, 1, 3
Mounting hardware:	Plug-in metal feet for wall or base mounting Busbar and DIN-rail mounting
Compliant with:	IEC/EN60044-1

Part number	Ratio	Burden VA against class index			Aperture (mm)
		Class 0.5	Class 1	Class 3	
M3N1-25-60/5	60/5	-	1	2	3@14.5 x 24.5mm
M3N1-25-100/5	100/5	-	1.5	2.5	3@14.5 x 24.5mm
M3N1-25-125/5	125/5	-	1.5	2.5	3@14.5 x 24.5mm
M3N1-25-150/5	150/5	1.5	1.5	2.5	3@14.5 x 24.5mm
M3N1-25-160/5	160/5	1.5	1.5	2.5	3@14.5 x 24.5mm
M3N1-35-100/5	100/5	-	1.5	2	3@20.5 x 24.5mm
M3N1-35-125/5	125/5	-	1.5	2.5	3@20.5 x 24.5mm
M3N1-35-150/5	150/5	-	1.5	2.5	3@20.5 x 24.5mm
M3N1-35-160/5	160/5	1.5	1.5	2.5	3@20.5 x 24.5mm
M3N1-35-200/5	200/5	1.5	1.5	2.5	3@20.5 x 24.5mm
M3N1-35-250/5	250/5	1.5	1.5	2.5	3@20.5 x 24.5mm
M3N1-45-250/5	250/5	1.5	1.5	2.5	3@30.5 x 30.5mm
M3N1-45-300/5	300/5	2.5	2.5	3.75	3@30.5 x 30.5mm
M3N1-45-400/5	400/5	2.5	2.5	3.75	3@30.5 x 30.5mm
M3N1-45-500/5	500/5	2.5	2.5	3.75	3@30.5 x 30.5mm
M3N1-45-600/5	600/5	2.5	2.5	3.75	3@30.5 x 30.5mm
M3N1-45-630/5	630/5	2.5	2.5	3.75	3@30.5 x 30.5mm

## M3N1-25



## M3N1-35



## M3N1-45

